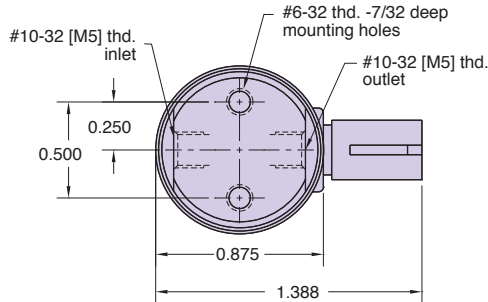




EVP SERIES PROPORTIONAL CONTROL VALVES

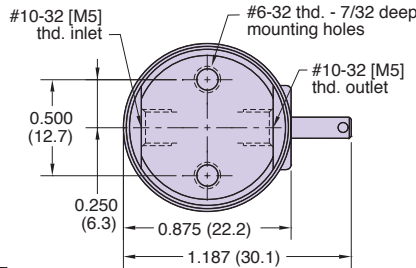
IN-LINE MOUNT

EC - P - □ - □ - □ - □

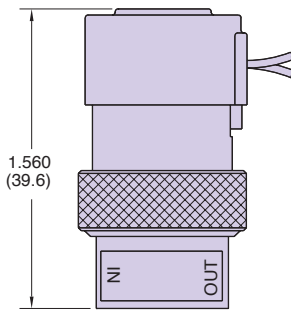


Type: 2-Way, Proportional
Medium: Air or Inert Gases
Temperature Range: 32 to 120°F
Power Consumption: 1.9 watts at 23°C, 2.3 watts max.
Mounting: In-line
Ports: #10-32 [M5] Female

ET - P - □ - □ - □ - □



EV - P - □ - □ - □ - □



Nominal Voltage Range at 23°C (vdc)	Input Current Range (amps)	Coil Resistance at 23°C (ohms)	Max. Voltage Required (vdc)
0 - 5	0 - 0.370	13.5	6.2
0 - 10	0 - 0.185	54	12.4
0 - 20	0 - 0.092	218	24.8

Do not exceed input current range.

The EVP Proportional Valve can be calibrated for pressures less than the maximum shown here. Lower pressures may be substituted, and will be used for calibration. The pressures shown above are standard options. For pressures less than 5 psig, please consult factory.

NUMBERING SYSTEM

E □ - **P** - □ - □ - □ - □

- C** - Connector
- T** - Terminal Spades
- V** - Wire Leads

Voltages: *

- 05 - 0-5 VDC
- 10 - 0-10 VDC
- 20 - 0-20 VDC

Orifice Options:

- 09 - 0.009" dia.
- 13 - 0.013" dia.
- 25 - 0.025" dia.
- 40 - 0.040" dia.
- 60 - 0.060" dia.

Maximum Pressure (specify Operating Pressure):

- - 0-100 psig
- - 0-50 psig
- - 0-25 psig

Options:

- Blank - none
- E - EPDM
- V - FKM seals

Ports:

- Blank - #10-32
- M5 - Metric

* Consult factory for availability of non-standard voltages and other options

Sample part number: EC-P-10-2585

For Cable and Connectors, see [Page 181](#).